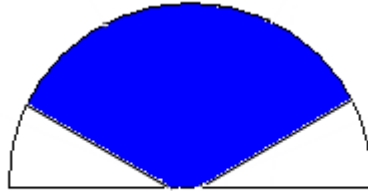


LED Globes

T5CAP-01

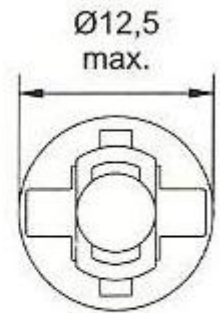
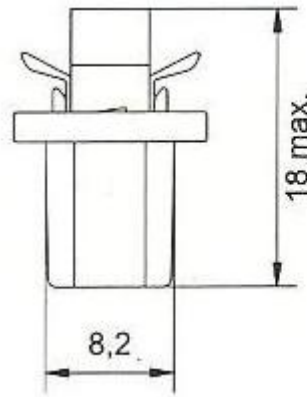
12v T5 Cap LEDs commonly used in dash clusters as a straight replacement for the standard incandescent globe holders, LEDs are fixed to base same as standard. 2pc/Pack. draws 0.02amps @ 13.8v

2 Units Per Pack



Main Beam at 120 Degree

LIGHT COMPARISON TOO A 2W INCANDESCENT GLOBE



Width	12.5mm
Height	18mm
Voltage	12 Volt
Power Draw Tested @ 13.8 V	0.02 Amps
Pieces Per Card	2 Unit
Packing	Blister Packed on Card