

Number Plate Light

BL-310MW

BRITE LED TECH PRODUCT

Registered Design / Registered patent No: 2009100062

Water Proof, Shock Proof, Vibration Proof, Rust Proof

5 Years Warranty

Complies With ADR 47/00 and ADR 48/00

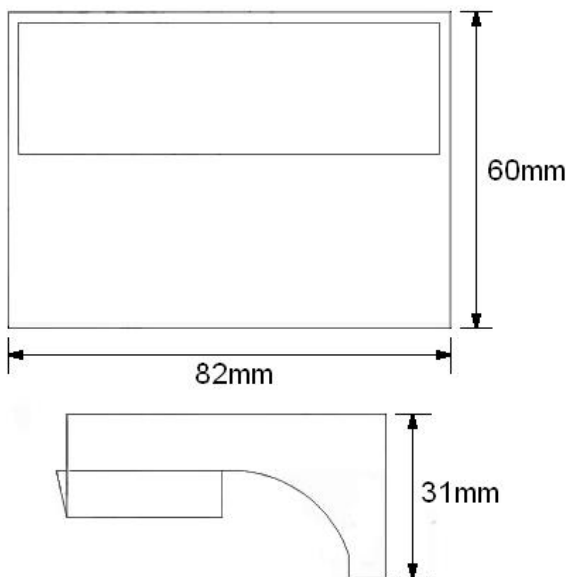
Number Plate Lamp 60mm x 82mm x 31mm 6 White Piranha Style LED's White Base with built in reflector and each unit supplied with 400mm of wire hardwired to lamp.

1 unit per Blister pack.

Ideal for Bus, Car, Caravans, Trailers, Truck

Suits fitment for BL-202, BL-207 and BL-210 series lamps

Length	60mm
Width	82mm
Height	31mm
Voltage	12 and 24 Volt
Power Draw Tested @ 13.8 V	0.04 Amps
Pieces Per Card	1 Unit
Packing	Blister Packed on Card



Vertical or horizontal fitment should have 100mm spacing between number plate and BL-310m to comply with ADR

Remove reflector from lamp and clip in new 310M number plate light, you can then mount your number plate beside led lamp for illumination